



**Electrolux**  
PROFESSIONAL

**Modular Cooking Range Line  
900XP Full Module Gas Hob  
Cooking Top**

ITEM # \_\_\_\_\_

MODEL # \_\_\_\_\_

NAME # \_\_\_\_\_

SIS # \_\_\_\_\_

AIA # \_\_\_\_\_



391023 (E9HOGH1000)

Full module gas Hob with mild steel Top

**Short Form Specification**

Item No. \_\_\_\_\_

High efficiency 16 kW burners in stainless steel with self-stabilizing flame. Large cooking surface with temperature gradient across cooking zone. Large flat cooking surface made in mild steel, permits the use of a number of various sized pots and pans, all easily moved across the surface without lifting. Exterior panels in stainless steel. Worktop in 20/10, stainless steel. Right angled side edges eliminate gaps and possible dirt traps between units.

**Main Features**

- Gas heated, 16 kW burners, hob.
- Hob top made of mild steel, smooth and easy to clean.
- Temperature uniformity across cooking surface.
- Each burner to have 2 branches with 4 flame lines.
- Piezo ignition.
- Setting different temperature zones provides a temperature gradient over the plate for different cooking needs.
- Various sizes of pans can be used at the same time due to large surface area with no intermediate sectors.
- Pans can easily be moved from one area to another without lifting.
- All major compartments located in front of unit for ease of maintenance.
- The special design of the control knob system guarantees against water infiltration.
- Suitable for countertop installation.

**Construction**

- Unit is 930 mm deep to give a larger working surface area.
- All exterior panels in Stainless Steel with Scotch Brite finishing.
- Model has right-angled side edges to allow flush fitting joints between units, eliminating gaps and possible dirt traps.
- IPX5 water resistance certification.

**Optional Accessories**

- Junction sealing kit PNC 206086
- Draught diverter, 150 mm diameter PNC 206132
- Support for bridge type installation, 800mm PNC 206137
- Support for bridge type installation, 1000mm PNC 206138
- Support for bridge type installation, 1200mm PNC 206139
- Support for bridge type installation, 1400mm PNC 206140
- Support for bridge type installation, 1600mm PNC 206141
- Flue condenser for 1 module, 150 mm diameter PNC 206246
- Water column with swivel arm (water column extension not included) PNC 206289

APPROVAL: \_\_\_\_\_

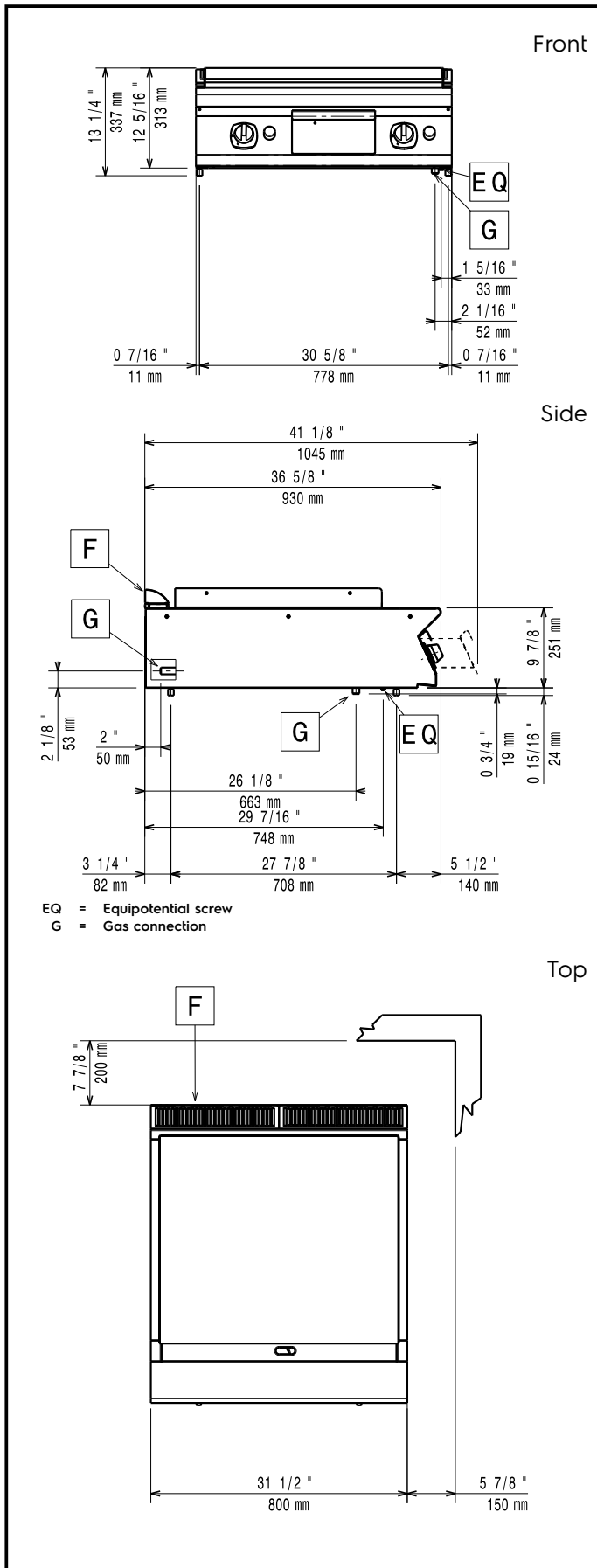


Experience the Excellence  
www.electroluxprofessional.com



- Water column extension for 900 line PNC 206290
- Chimney upstand, 800mm PNC 206304
- Chimney grid net, 400mm PNC 206400   
(700XP/900)
- Side handrail-right/left hand PNC 216044   
(900XP)
- Frontal handrail, 800mm PNC 216047
- Frontal handrail, 1200mm PNC 216049
- Frontal handrail, 1600mm PNC 216050
- Large handrail - portioning shelf, PNC 216186   
800mm
- 2 side covering panels for top PNC 216278   
appliances
- Lid for 22lt multifunctional cooker PNC 921690
- Pressure regulator for gas units PNC 927225





## Gas

<b>Gas Power:</b>	391023 (E9HOGH1000)	16 kW
<b>Standard gas delivery:</b>		Natural Gas G20 (20mbar)
<b>Gas Type Option:</b>		LPG; Natural Gas
<b>Gas Inlet:</b>		1/2"

## Key Information:

<b>Cooking Surface Depth:</b>	
<b>Cooking Surface Width:</b>	
<b>Working Temperature MIN:</b>	
<b>Working Temperature MAX:</b>	
<b>External dimensions, Width:</b>	800 mm
<b>External dimensions, Depth:</b>	930 mm
<b>External dimensions, Height:</b>	250 mm
<b>Net weight:</b>	105 kg
<b>Shipping weight:</b>	103 kg
<b>Shipping height:</b>	530 mm
<b>Shipping width:</b>	1010 mm
<b>Shipping depth:</b>	860 mm
<b>Shipping volume:</b>	0.46 m <sup>3</sup>
<b>Certification group:</b>	N9RG

If appliance is set up or next to or against temperature sensitive furniture or similar, a safety gap of approximately 150 mm should be maintained or some form of heat insulation fitted.